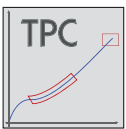
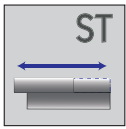
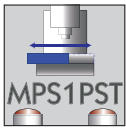
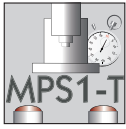
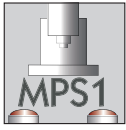
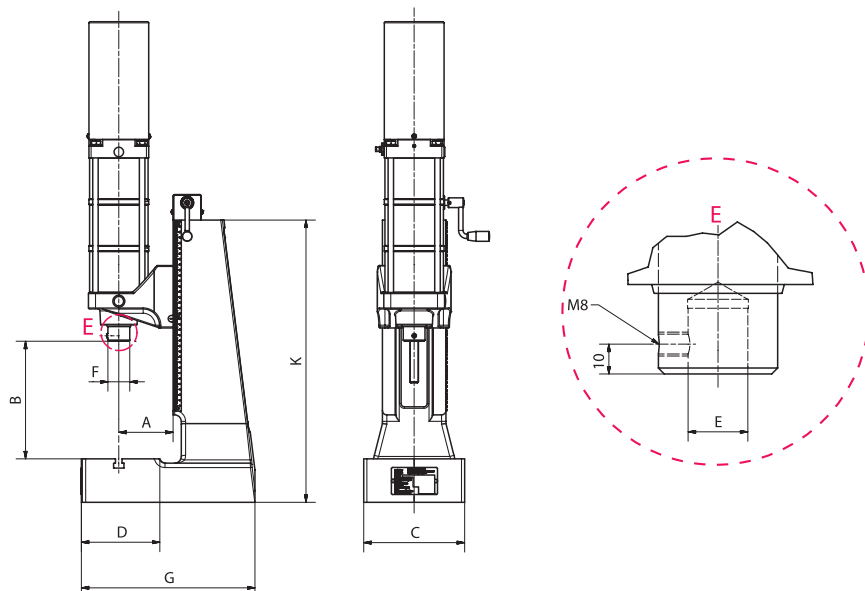
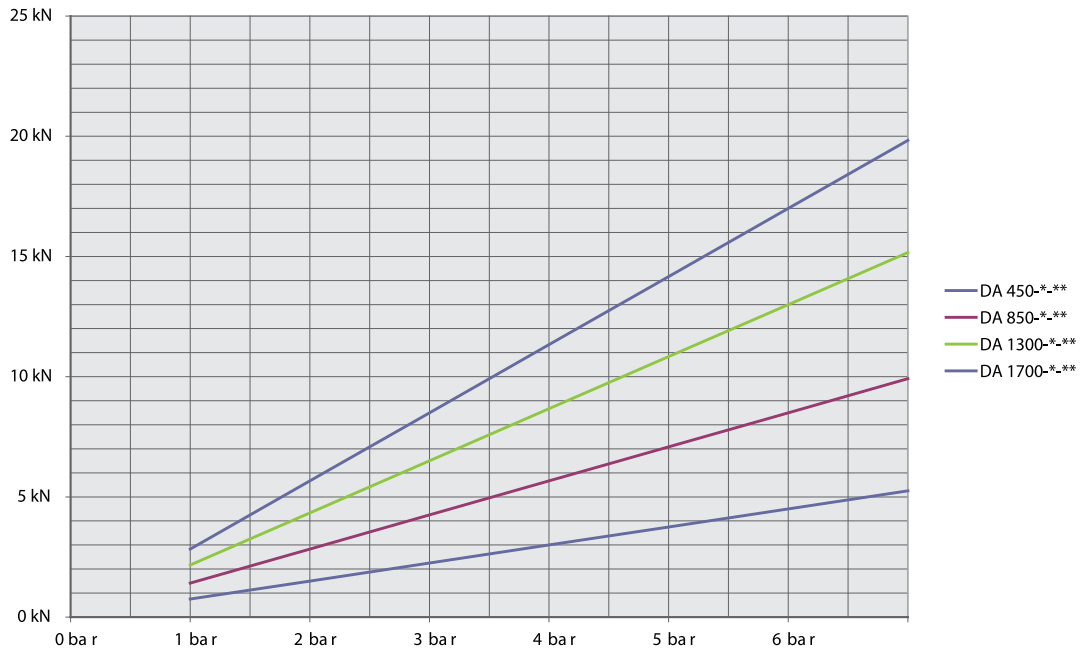


DIRECT-ACTING PNEUMATIC PRESSES

The accessories



DA series with round ram



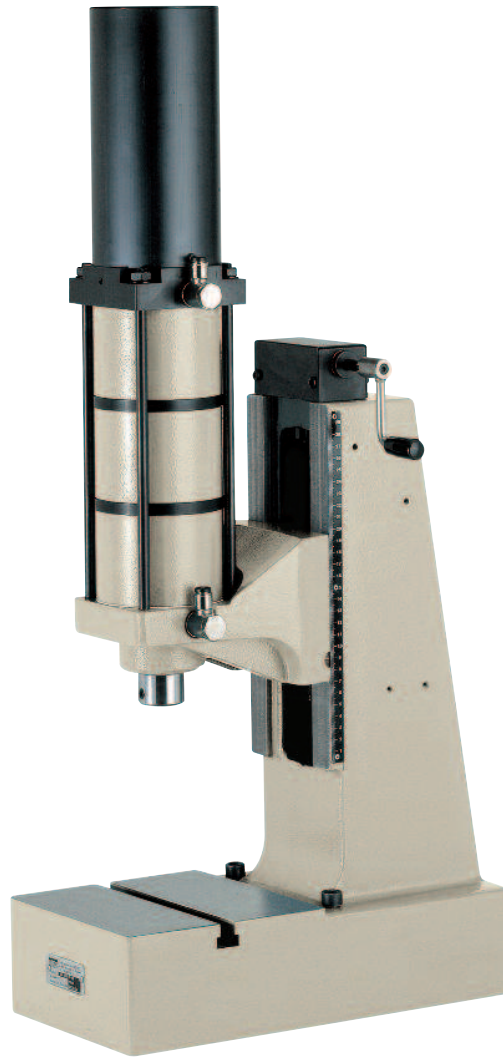
DIRECT-ACTING PNEUMATIC PRESSES

BalTec

DA series with round ram



DA 850-40-100



DA 1300-40-130

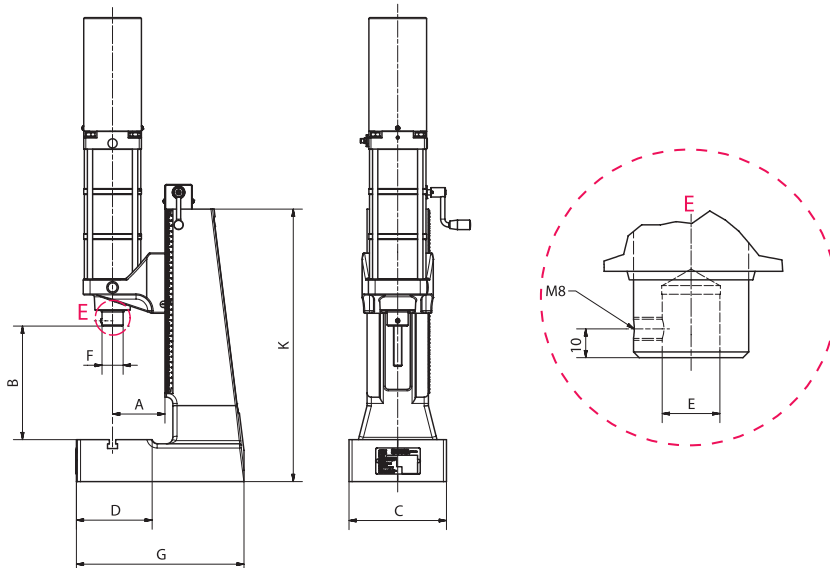
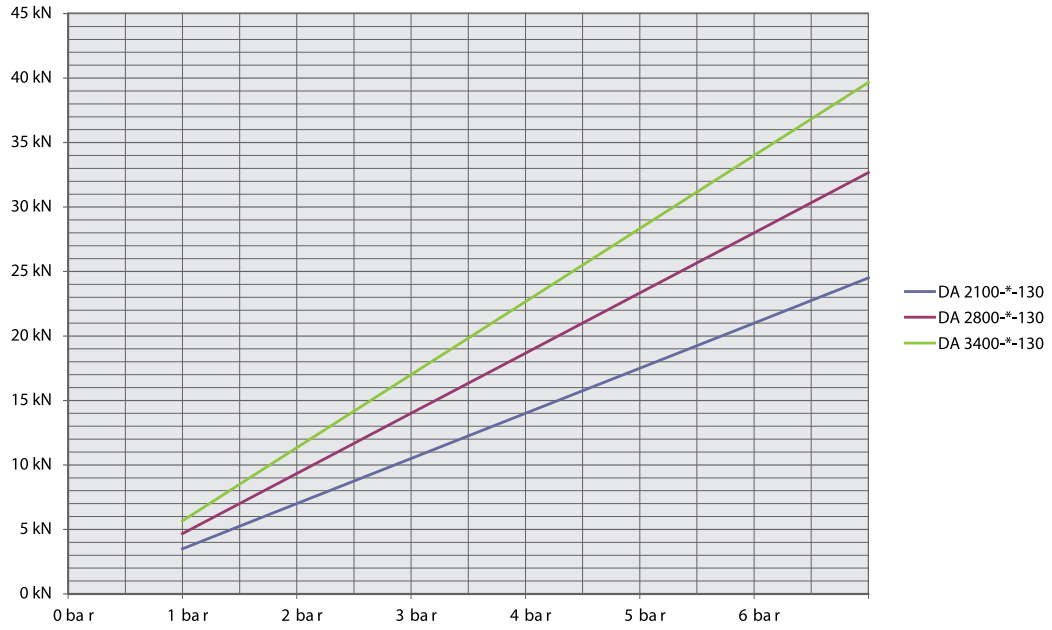
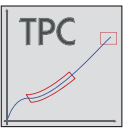
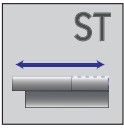
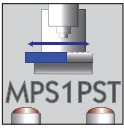
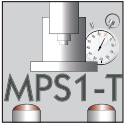
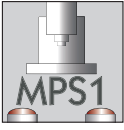
Type			DA 450-*-100	DA 850-*-100	DA 1300-*-100	DA 1700-*-100	DA 450-*-130	DA 850-*-130	DA 1300-*-130	DA 1300-*-130
Capacity		kN	4.5	8.5	13.0	17.0	4.5	8.5	13.0	13.0
Working stroke		mm	40/60/80/100/120	40/60/80/100/120	40/60/80/100/120	40/60/80/100/120	40/60/80/100/120	40/60/80/100/120	40/60/80/100/120	40/60/80/100/120
Throat	A	mm	100	100	100	100	130	130	130	130
Daylight	B	mm	60-285	60-285	60-285	60-285	70-325	70-325	70-325	70-325
Table size	BB	mm	85x145	185x145	185x145	185x145	200x220	200x190	200x190	200x190
T-slot width similar to DIN 650	CxD	mm	12	12	12	12	14	14	14	14
Ram bore Ø x Depth		mm	20 ^{H7} x25	20 ^{H7} x25	20 ^{H7} x25	20 ^{H7} x25	20 ^{H7} x25	20 ^{H7} x25	20 ^{H7} x25	20 ^{H7} x25
Ram bore Ø	E	mm	40	40	40	40	40	40	40	40
Port size	F		G 3/8"	G 3/8"	G 3/8"	G 3/8"	G 3/8"	G 3/8"	G 3/8"	G 3/8"
Air consumption/cm cyl. stroke		l	1.0	1.5	2.1	2.6	1.0	1.5	2.1	2.1
Space requirement		mm	185x320	185x320	185x320	185x320	200x385	200x385	200x385	200x385
Stand height	C x G	mm	520	520	520	520	580	580	580	580
Weight	K	kg	ca.62	ca.65	ca.68	ca.71	ca.77	ca.80	ca.83	ca.83

*Specify the stroke length when ordering.

Valve and service unit only included with controller. Design may vary.

DIRECT-ACTING PNEUMATIC PRESSES

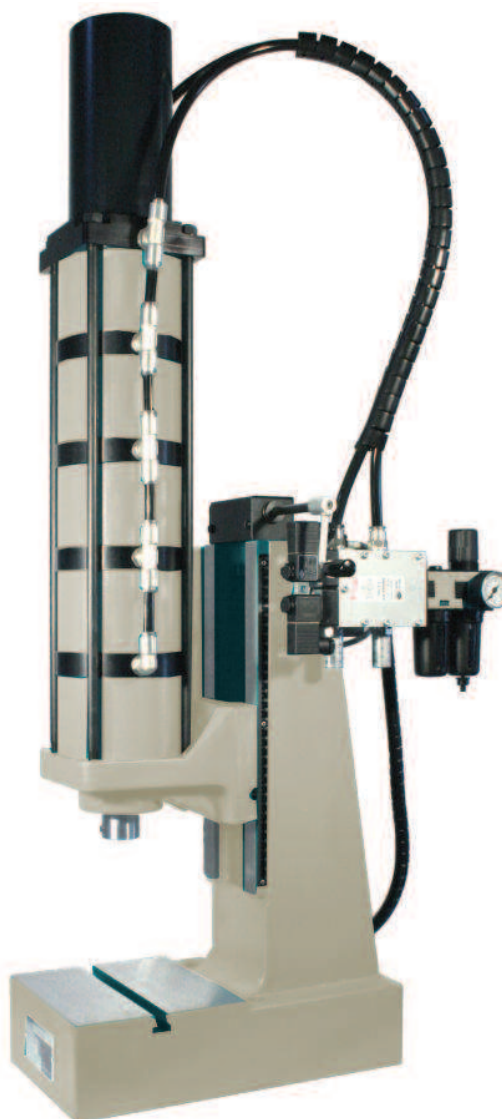
The accessories **DA series with round ram**



DIRECT-ACTING PNEUMATIC PRESSES

BalTec

DA series with round ram



DA 3400-40-130

Type			DA 2100-*-130	DA 2800-*-130	DA 3400-*-130
Capacity		kN	21.0	28.0	34.0
Working stroke*		mm	40/60/80/100/120	40/60/80/100/120	40/60/80/100/120
Throat	A	mm	130	130	130
Daylight	B	mm	75-330	75-330	75-330
Table size	CxD	mm	200x190	200x190	200x190
T-slot width similar to DIN 650		mm	14	14	14
Ram bore Ø x Depth	E	mm	20 ^{H7} x25	20 ^{H7} x25	20 ^{H7} x25
Ram Ø	F	mm	40	40	40
Port size			G 3/8"	G 3/8"	G 3/8"
Air consumption/cm cyl. stroke		l	3.0	3.7	4.5
Space requirement	C x G	mm	200x385	200x385	200x385
Stand height	K	mm	580	580	580
Weight		kg	ca.92	ca.99	ca.105

*Specify the stroke length when ordering.

Valve and service unit only included with controller. Design may vary.