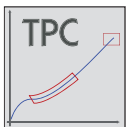


PNEUMATIC PRESSES

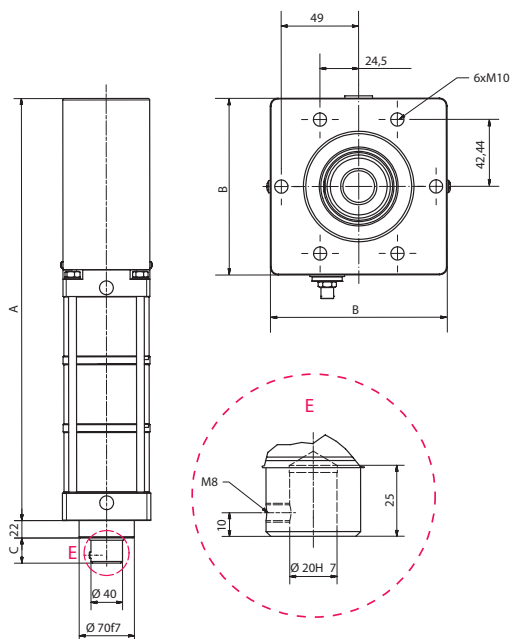
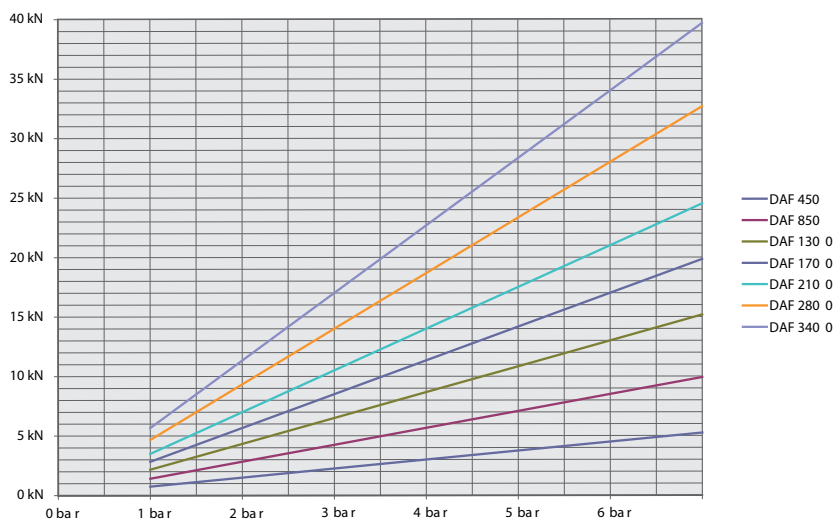
The accessories

DAF direct-acting press cylinders



DAF direct-acting press cylinders with flange have been designed for flexible use in special machines. DAF press cylinders come with all the advantages of modern pneumatic presses as standard:

- Unlimited adjustment of stroke length
- Adjustable end-position damping
- Tool mounting hole
- Easy to automate



PNEUMATIC PRESSES

DAF direct-acting press cylinders



DAF cylinders

Type	Capacity kN at 6 bar	Return force kN at 6 bar	stroke mm	A mm	B mm	C mm
DAF 450-40	4.5	4	0 - 40	363	112	32
DAF 450-60	4.5	4	0 - 60	403	112	32
DAF 450-80	4.5	4	0 - 80	443	112	32
DAF 450-100	4.5	4	0 - 100	483	112	32
DAF 450-120	4.5	4	0 - 120	523	112	32
DAF 850-40	8.5	4	0 - 40	449	112	32
DAF 850-60	8.5	4	0 - 60	509	112	32
DAF 850-80	8.5	4	0 - 80	569	112	32
DAF 850-100	8.5	4	0 - 100	629	112	32
DAF 850-120	8.5	4	0 - 120	689	112	32
DAF 1300-40	13	4	0 - 40	535	112	32
DAF 1300-60	13	4	0 - 60	615	112	32
DAF 1300-80	13	4	0 - 80	695	112	32
DAF 1300-100	13	4	0 - 100	775	112	32
DAF 1300-120	13	4	0 - 120	855	112	32
DAF 1700-40	17	4	0 - 40	621	112	32
DAF 1700-60	17	4	0 - 60	721	112	32
DAF 1700-80	17	4	0 - 80	821	112	32
DAF 1700-100	17	4	0 - 100	921	112	32
DAF 1700-120	17	4	0 - 120	1021	112	32
DAF 2100-40	21	19	0 - 40	581	134	38
DAF 2100-60	21	19	0 - 60	661	134	38
DAF 2100-80	21	19	0 - 80	741	134	38
DAF 2100-100	21	19	0 - 100	821	134	38
DAF 2100-120	21	19	0 - 120	901	134	38
DAF 2800-40	28	26	0 - 40	689	134	38
DAF 2800-60	28	26	0 - 60	789	134	38
DAF 2800-80	28	26	0 - 80	889	134	38
DAF 2800-100	28	26	0 - 100	989	134	38
DAF 2800-120	28	26	0 - 120	1089	134	38
DAF 3400-40	34	32	0 - 40	797	134	38
DAF 3400-60	34	32	0 - 60	917	134	38
DAF 3400-80	34	32	0 - 80	1037	134	38
DAF 3400-100	34	32	0 - 100	1157	134	38
DAF 3400-120	34	32	0 - 120	1277	134	38