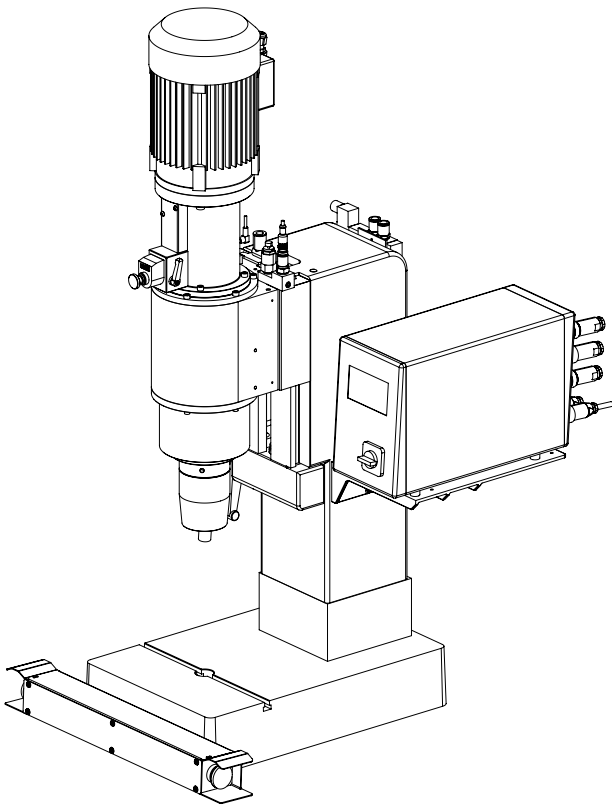


EN – ORBITAL BENCH TOP RIVETING MACHINE ENE – ORBITAL RIVETING UNIT



Key features

- Complete work station; ready to accept tooling
- Separate riveting unit – can be installed in special machines in any desired position
- Efficient use due to short cycle times
- Very robust design
- Easy to use, simple handling and setup
- Excellent return on investment
- Adaptable also for roller forming applications with customer specific roller forming head

with Time Based Control RC-30

4.3" Touchscreen, LED-backlit

Control Software on SD card – SW updates via SD card possible

Total hardware in semiconductor technology executed

All connections on the back side via quick disconnect

Control in sheet metal enclosure, IP 53

Stroke counter and hour counter are resettable

Total stroke counter and total hour counter are not resettable

Dimensions

Model	A	B	C	D	E	F	G	H	K	L	M	N	P
EN/ENE20/R	108-258	870	1078-1228	100	120	185	495	28/60	320	238-278	125	274	172
EN/ENE35	107-302	885	1114-1309	110	125	220	562	28/60	350	228-278	160	309	230

Technical Data

Drive:	electro-pneumatic
Stroke:	40 mm / 50 mm
Riveting power:	up to 13 mm / up to 18 mm Steel 370 N/mm ²
Riveting force with 6 bar:	20 kN / 35 kN
Electrical connection of motor:	1.1 / 1.5 kW
Stroke stop:	mechanically adjustable, accuracy 0.01 mm

Further dimensions: Please ask for our detailed dimensional drawings.
Subject to technical changes.

