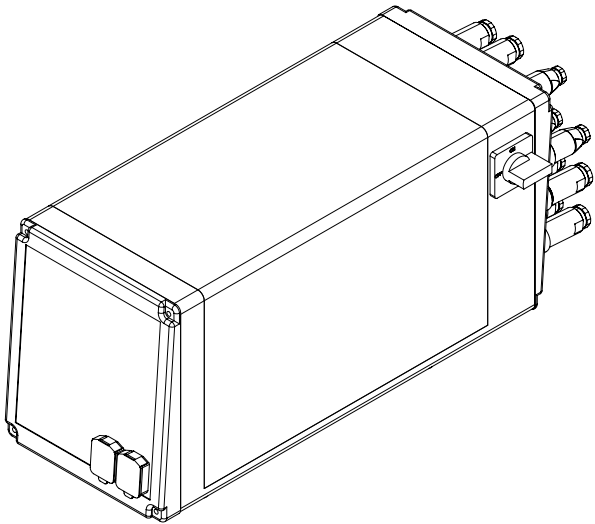


HPP-25 – PROCESS CONTROL



Key features

- Process monitoring with integrated riveting control
- 6 different control criteria
- 45 different riveting modes
- Accurate rivet detection during riveting cycle
- Integrated archiving and logging of process data

Detailed specifications

Control software on SD card – SW updates via SD card possible

Total hardware in semiconductor technology executed

All connections on the back side via quick disconnect

63 riveting programs can be stored and recalled

Up-/Download for parameter and riveting programs

Download for process data, riveting curves and alarm-history

Graphical display of riveting force and distance curve

45 different riveting modes are possible, including projection measurement and control to closing head height H

Option: – Autocompensation (activating code necessary)

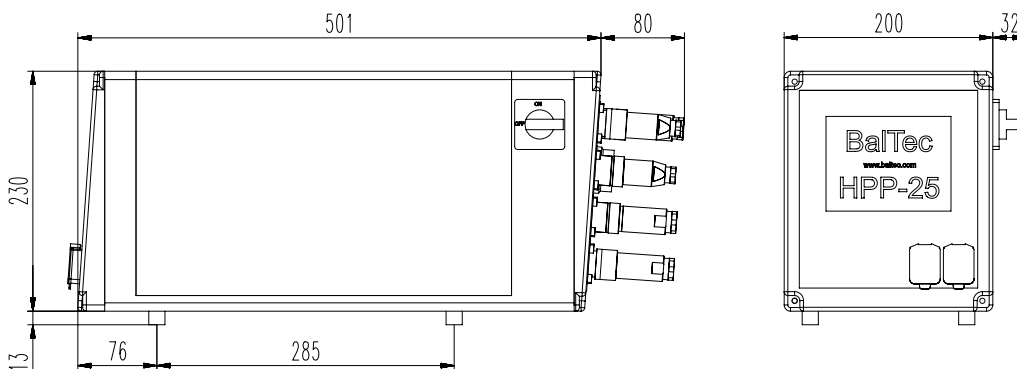
With: – PLC interface board (option); connection via plug X9
– 2 preset batch counters
– OK-, NOK rivet counter

Operating languages: CZ, DE, DK, EN, ES, FR, HU, IT, NL, PL, PT, RO, SE, SL, TR

Technical Data

Design:	Sheet metal design with die cast front and rear panels
Degree of protection:	IP53
Cable entry:	All connections via quick disconnect
Supply voltages:	3 x 160-190 / 200-240 / 320-380 / 380-500 / 500-600 V 1 x 100-120 / 160-190 / 200-240 V
Interfaces:	USB und Ethernet (UDP-Protocol)
Processor:	ARM 9
Display:	5,7" Touchscreen, LED-backlit
Weight:	12 kg

Further dimensions: Please ask for our detailed dimensional drawings.
Subject to technical changes.



Connection plug assignement (rear panel)

X1: Valve down/up, sensor TDC	X9: PLC Interface
X2: Release, start (foot switch) take over-sensor	X11: Lower chamber
X3: Grease, work lamp, grease sensor	X12: Upper chamber
X4: E-Stop, two-hand	X13: Path measuring
X5: Pressure / Flow control valve, rapid / working speed valve, sensor BDC	X14: Switch NHE
X6: External reset and safety circuit	X20: Power supply
X7: Depending on execution, see operating instructions	X21: Riveting motor
X8: Depending on execution, see operating instructions	X22: Hydraulic motor

