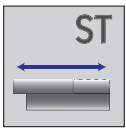
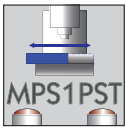
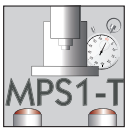
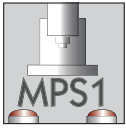
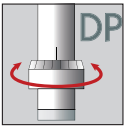


# PNEUMATIC TOGGLE PRESSES

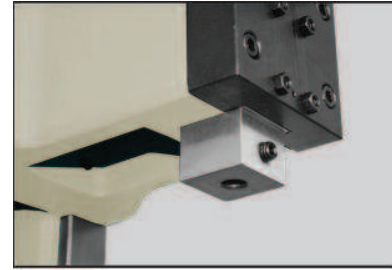
The accessories **APKL and VKL series**



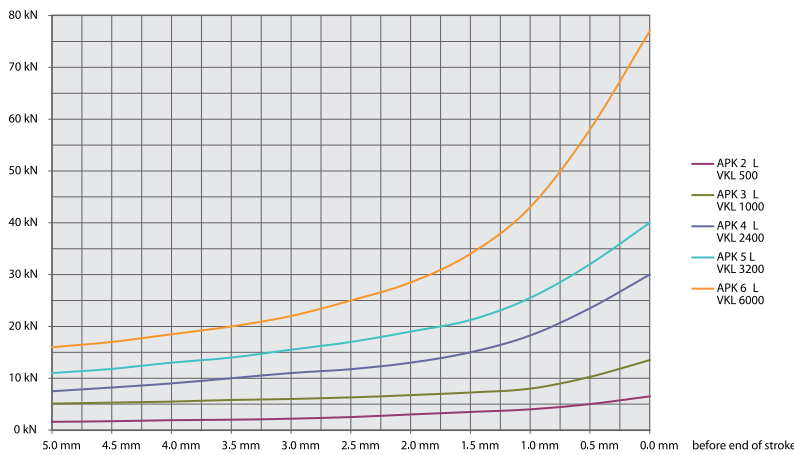
The optimum transmission ratio of the toggle lever produces large forces at the end of the stroke and ensures low air consumption. The resulting low energy consumption means that Baltec pneumatic toggle presses are a cost-effective production tool, not only at the procurement stage but also in the long term. All pneumatic toggle presses can be provided with the standard Baltec IPC controller or with customer-specified controllers.

**Other quality features:**

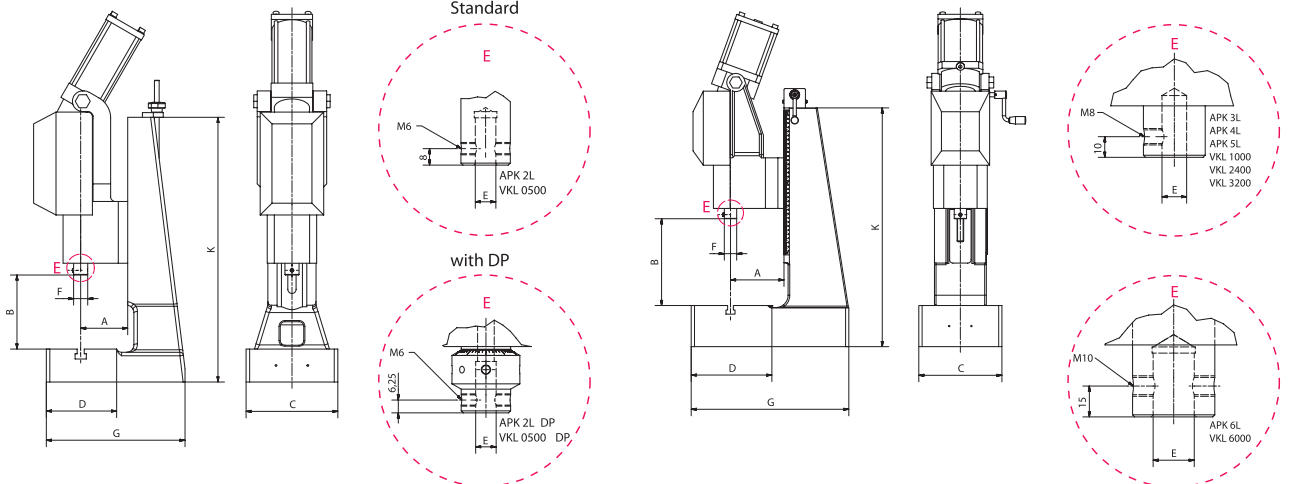
- Factory pre-set pressure point
- Right-angled gearbox for simple height adjustment of the press head
- Side-mounted measuring strip for fast reproduction of settings when changing the tool
- Practically maintenance-free double-acting cylinder
- Low noise: less than 75 dB



Square ram



APK 2L  
VKL 0500-35-80



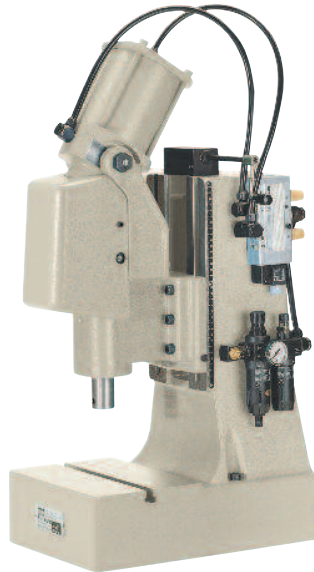
# PNEUMATIC TOGGLE PRESSES

## APKL and VKL series

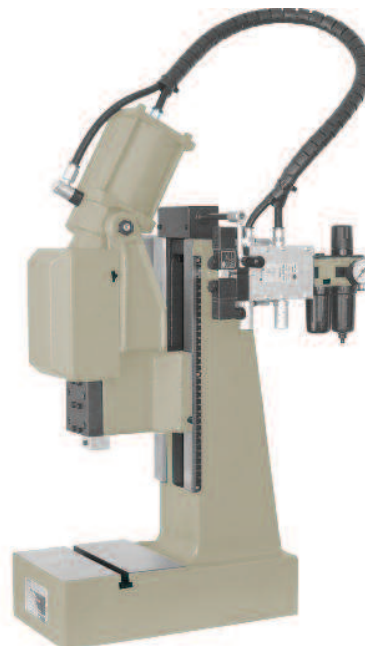
**BalTec**



APK 2L



APK 6L



VKL 2400

Type			APK2L	APK3L	with round ram APK4L	APK5L	APK6L
Capacity		kN	5	10	24	32	60
Working stroke		mm	35	40	40	40	40
Throat	A	mm	80	100	130	130	150
Daylight	B	mm	80-265	110-280	175-330	175-330	87-310
Daylight with DP	B	mm	65-250	-	-	-	-
Table size	C x D	mm	157-115	185-145	200x190	200x190	300x210
T-slot width similar to DIN 650		mm	12	12	14	14	14
Ram bore Ø x Depth	E	mm	10 <sup>H7</sup> x25	12 <sup>H7</sup> x30	12 <sup>H7</sup> x30	12 <sup>H7</sup> x30	20 <sup>H7</sup> x34
Ram Ø	F	mm	24	30	30	30	40
Port size			G 1/4"	G 1/4"	G 3/8"	G 3/8"	G 3/8"
Air consumption/cm cyl. stroke		l	0.26	0.41	1.05	1.05	1.65
Space requirement	C x G	mm	157x237	185x320	200x385	200x385	300x455
Stand height	K	mm	450	520	580	580	630
Weight		kg	ca. 22	ca. 55	ca. 95	ca. 95	ca. 140

Accessories		Please specify when ordering					
Precision ram adjustment		DP	DP	-	-	-	

Type			VKL 0500-35-80	VKL 1000-40-100	with square ram VKL 2400-40-130	VKL 3200-40-130	VKL 6000-40-150
Capacity		kN	5	10	24	32	60
Working stroke		mm	35	40	40	40	40
Throat	A	mm	80	100	130	130	150
Daylight	B	mm	80-265	110-280	175-330	175-330	90-320
Daylight with DP	B	mm	65-250	-	-	-	-
Table size	C x D	mm	157-115	185-145	200x190	200x190	300x210
T-slot width similar to DIN 650		mm	12	12	14	14	14
Ram bore Ø x Depth	E	mm	10 <sup>H7</sup> x25	12 <sup>H7</sup> x30	12 <sup>H7</sup> x30	12 <sup>H7</sup> x30	20 <sup>H7</sup> x34
Ram area	F	mm	25x25	31x31	31x31	31x31	41x41
Port size			G 1/4"	G 1/4"	G 3/8"	G 3/8"	G 3/8"
Air consumption/cm cyl. stroke		l	0.26	0.41	1.05	1.05	1.65
Space requirement	C x G	mm	157x237	185x320	200x385	200x385	300x455
Stand height	K	mm	450	520	580	580	630
Weight		kg	ca. 22	ca. 55	ca. 95	ca. 96	ca. 140

Accessories		Please specify when ordering					
Precision ram adjustment		DP	DP	-	-	-	