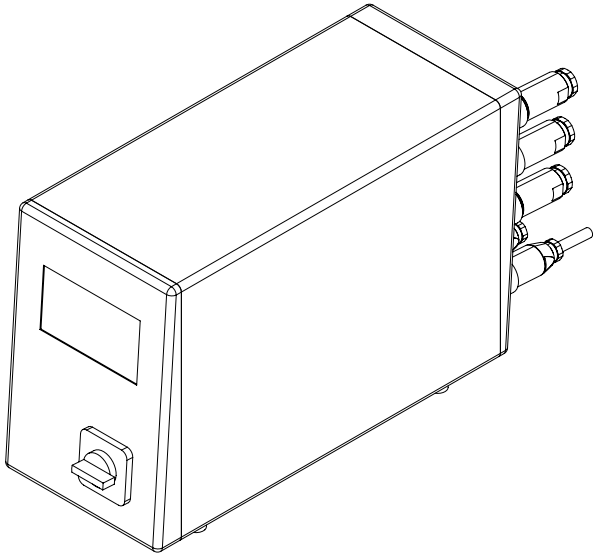


## RC-30 – TIME BASED CONTROL



### Key features

- Riveting process is controlled by time setting
- Control is modular and can be used for:
  - Pneumatic riveting machines (single or double riveting machine)
  - Hydraulic riveting machines (single riveting machine)
  - NHE-E
  - Control of rotary indexing table riveting machine
  - Control of sliding table

### Detailed specifications

4.3" Touchscreen, LED-backlit

Control Software on SD card – SW updates via SD card possible

Total hardware in semiconductor technology executed

All connections on the back side via quick disconnect

Control in sheet metal enclosure, IP 53

Connections for:

- 2 hand switches with integrated 2-hand relay (option)
- Automatic lubrication
- Machine lamp 24VDC
- Safety valve (2-channel) possible

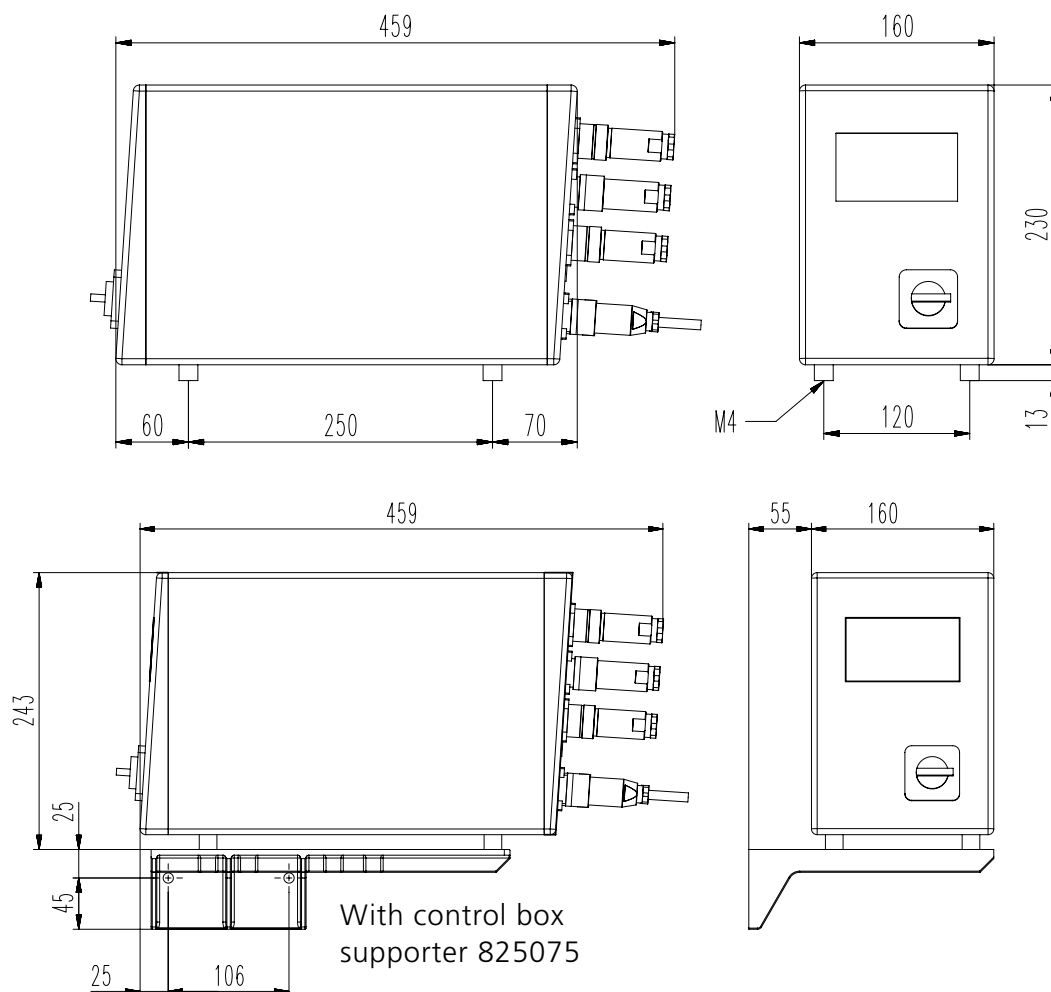
Options:

- Connection for external safety (2-channel)
- Connection for status message relay output (OK/ERR)
- In/output card with 7 (8) digital inputs / 4 (3) digital outputs (sliding table/rotary indexing table activation or customer specific control functions)
- Analog output 0-700 mA or 4-20 mA
- Connection for riveting stroke limit switch unit (NHE-E)

Stroke / hour counter resettable (total stroke / total hour counter not resettable)

Power supply: 3 x 200-240 V / 380-500 V / 500-600 V or 1 x 100-120 V / 200-240 V

Operating languages: CZ, DE, DK, EN, ES, FR, HU, IT, NL, PL, PT, RO, SE, SL, TR



## Connection plug assignment (rear panel)

X1: Valve down / up, sensor TDC

X2: Release, start (foot switch), take over sensor

X3: Grease, work lamp, grease sensor

X4: E-Stop, two-hand

X5: Pressure / Flow control valve, rapid/  
working speed valve, sensor BDC

X6: External reset and safety circuit

X7: Depending on execution, see operating instr.

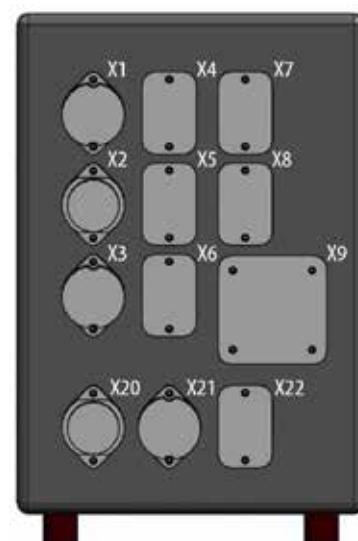
X8: Depending on execution, see operating instr.

X9: PLC Interface

X20: Power supply

X21: Riveting motor

X22: Hydraulic motor



Further dimensions: Please ask for our detailed dimensional drawings.  
Subject to technical changes.