



### KEY FEATURES

- Specially designed for high or long parts
- The working table is adjustable while the riveting unit remains fixed
- Optional with safety enclosure

### PROCESS CONTROL

**HPP-25: Process monitoring with integrated riveting controller**  
or  
**RC-30: Control unit by time setting**

#### HPP-25

- 5,7" Touchscreen LED-backlit
- Process data are continuously evaluated and stored
- Integrated riveting curve visualization for a simple process analysis
- USB- and Ethernet interfaces and integrated data logger
- Graphical display of riveting force- and deformation path-curve
- Indicator on riveting head home position and lower endposition
- Status display in-/output of the riveting curve

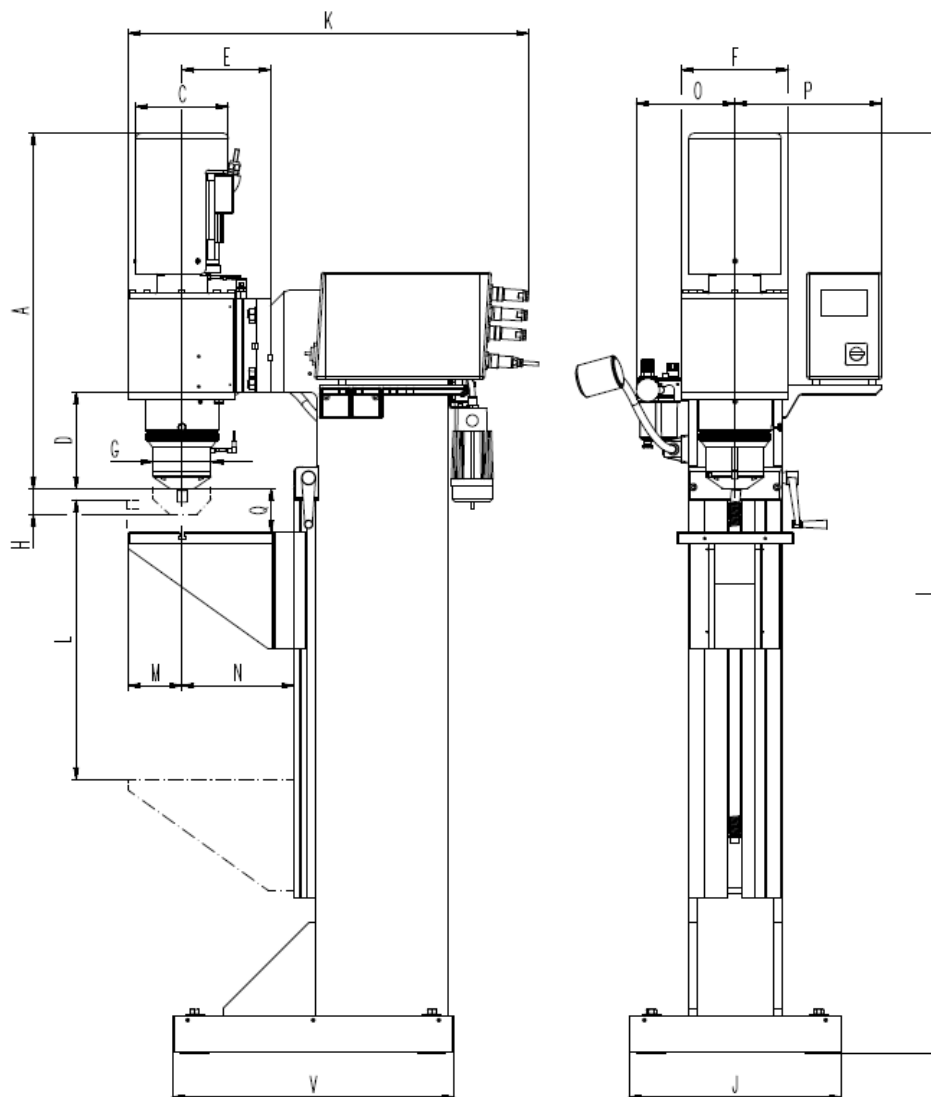
#### RC-30

- 4.3" Touchscreen, LED-backlit
- Control Software on SD card – SW updates via SD card possible
- Total hardware in semiconductor technology executed
- All connections on the back side conducted by plugs
- Housing in sheet metal construction, IP 53
- Stroke counter and hour counter – resettable
- Total stroke counter and hour counter – not resettable

**MAIN DIMENSIONS AND WEIGHTS**

Model	kN	H	I	K	V	J	D	A	L	kg
RNS 181	1.8-6.6	5-30	1815	876	606	456	125-155	544-574	0-600	400
RNS 181H	1.2-3.6	5-30	1815	876	606	456	125-155	544-574	0-600	400
RNS 181R	0.2-1.5	5-30	1815	876	606	456	125-155	544-574	0-600	400
RNS 231	3.8-12	5-40	1848	922	606	456	145-185	594-634	0-600	410
RNS 281	5.8-17	5-40	1909	793	606	456	166-206	656-696	0-600	440
RNS 281R	3.0-9.5	5-40	1909	793	606	456	166-206	656-696	0-600	440
RNS 331	11-33	5-50	1980	844	606	456	207-257	764-814	0-600	470
RNS 381	6.0-40	5-50	1977	804	606	456	198-248	752-802	0-600	500
RNS 481	15-100	5-90	2253	984	606	456	193	902-992	0-600	1040

Further dimensions: please ask for our detailed dimensional drawings.



Subject to technical changes