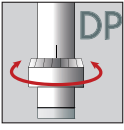


# MANUAL TOGGLE PRESSES

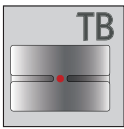
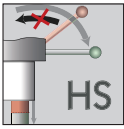
The accessories



## Manual toggle presses with square ram VK series / L-VK series

The square ram has significant advantages over the round ram:

- absolute torsion resistance
- hardened, precisely ground ram
- play-free movement of the press arm
- adjustable gib strips of the square ram
- large support surface for the tool
- guides on the tool are therefore usually unnecessary
- virtually maintenance-free operation

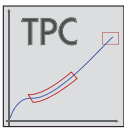


### Additional standard equipment:

- height adjustment of the press head using a threaded spindle
- side-located measuring strip for repeatable accurate setting of press head

### These models can also be fitted with the usual options:

- precision ram adjustment for precise setting of the insertion depth (DP)
- return travel lock for quality assurance during production (HS)
- stroke counter (Z)
- central table bore (TB)

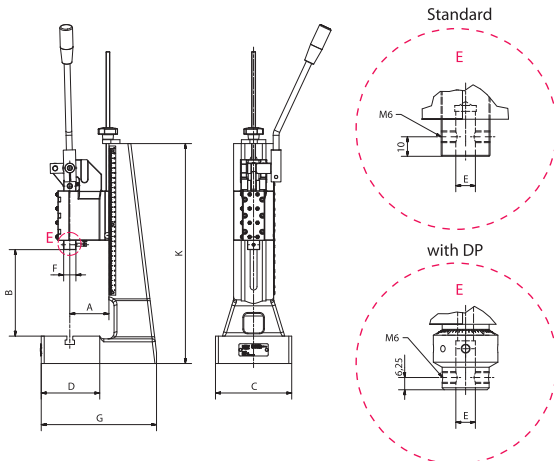
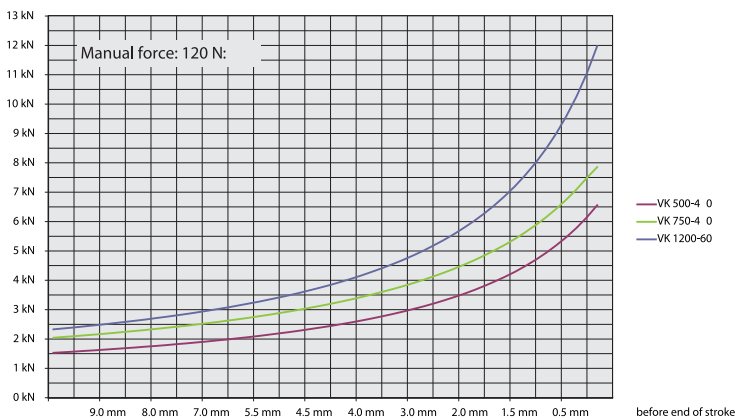


Manual lever can be refitted for right and left-handers

Baltec manual toggle presses with square rams are ideal equipment for the production of high-precision small components with narrow tolerances in small and medium batches, where automation would be uneconomical.

## ERGOPRESS® hand lever

- Ergonomic user comfort.
- 360° stepless adjustment
- Lever angled to the side: free view of work area and ergonomically comfortable position.
- Simple and easy conversion for left-handers (except HS and Z option) without losing the tool setting. Ideal for job sharing on one press.



# MANUAL TOGGLE PRESSES

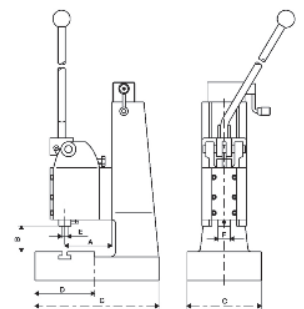
## Manual toggle presses with square ram VK series / L-VK series



VK 750-40

L-VK 1200

Type			VK 500-40	VK 750-40	L-VK 750-40	VK 1200-60	L-VK 1200-60
Capacity		kN	5.0	7.5	7.5	12.0	12.0
Working stroke		mm	40	40	40	60	60
Throat	A	mm	63	80	80	80	80
Daylight	B	mm	40-213	53-265	55-375	45-245	52-352
Daylight with DP	B	mm	20-197	38-250	39-359	31-231	38-338
Table size	C x D	mm	110x65	157x115	157x115	157x115	157x115
T-slot width similar to DIN 650		mm	10	12	12	12	12
Ram bore Ø x Depth	E	mm	10 <sup>H7</sup> x25	10 <sup>H7</sup> x25	10 <sup>H7</sup> x25	10 <sup>H7</sup> x30	10 <sup>H7</sup> x30
Ram bore Ø x Depth with DP	E	mm	10 <sup>H7</sup> x25	10 <sup>H7</sup> x25	10 <sup>H7</sup> x25	10 <sup>H7</sup> x25	10 <sup>H7</sup> x25
Ram area	F	mm	21x21	25x25	25x25	31x31	31x31
Space requirement	C x G	mm	110x164	157x237	155x280	157x237	157x280
Stand height		mm	355	450	570	450	570
Weight		kg	ca. 10	ca. 20	ca. 28	ca. 24	ca. 32



Accessories	Please specify when ordering				
Precision ram adjustment	DP	DP	DP	DP	DP
Return travel lock	HS	HS	HS	HS	HS
Counter	Z	Z	Z	Z	Z
Table bore 12 <sup>H7</sup>	TB	TB	TB	TB	TB